

HIGH EFFICIENT RIGID MOUNTED INDUSTRIAL WASHER EXTRACTORS

**RX
RANGE**

| RX80 | RX105 | RX135 |
|---------------|----------------|----------------|
| 7,5KG 17LB | 10,5KG 23LB | 13,5KG 30LB |



FEATURES

- Rigid mounted, medium spin, 200 G-factor
- Stainless steel top panel & Anthracite grey front and side panels
- Stainless steel drum and tub
- Xcontrol - easy to use microprocessor
- Patented Soap Hopper
- Large drain valve (Ø 76 mm)
- Easy access to all vital parts from the front
- Large door opening for easy loading & unloading

OPTIONS

- Xcontrol Plus - Fully programmable
- Coin operated timer (CPS)
- Stainless steel front and side panels
- USB & RS485 plug (on the back panel)
- Easy Soap - liquid soaps connection
- Liquid soap pumps
- Water recovery kit
- Steam heating version
- Drain pump (RX80)
- 3rd water inlet
- 7mm drum perforation (limited 100 G factor)
- IP44 protection



ERGONOMICAL
CONSTRUCTION



LARGE DOOR
OPENING

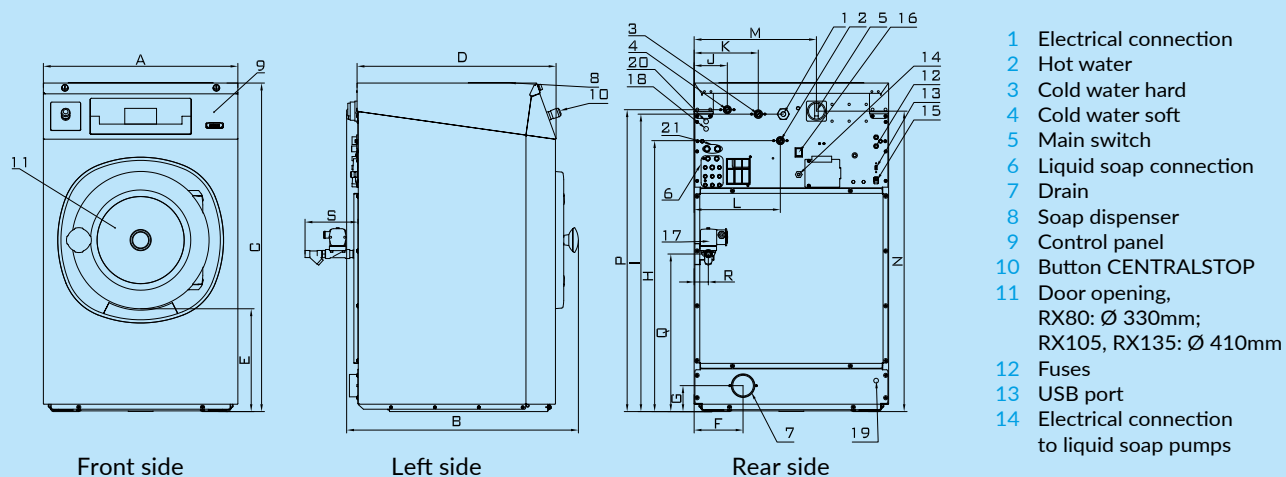


LOW WATER
AND ENERGY
CONSUMPTION



GET AHEAD IN LAUNDRY

| TYPE | | RX80 | RX105 | RX135 |
|------------------------------|------------|--------------|--------------|--------------|
| INNERDRUM | | | | |
| Maximum capacity 1:9 | kg | 9 | 12 | 15 |
| Capacity 1:10 | kg | 7,5 | 10,5 | 13,5 |
| Volume | litres | 75 | 105 | 135 |
| Diameter | mm | 530 | 620 | 620 |
| DRUM SPEED | | | | |
| Wash | rpm | 50 | 46 | 46 |
| Extraction | rpm | 820 | 760 | 760 |
| G-FACTOR | | | | |
| | | 200 | 200 | 200 |
| HEATING | | | | |
| Electricity (standard) | kW | 6 / 9 | 6 / 9 / 12 | 6 / 9 / 12 |
| Steam | bar | 1 - 8 | 1 - 8 | 1 - 8 |
| Hot water | °C | 90 | 90 | 90 |
| Sound pressure level | dB (A) | < 65 | < 65 | < 65 |
| Water valves connection | BSP | 3/4" | 3/4" | 3/4" |
| Water pressure | kPa | 100-800 | 100-800 | 100-800 |
| Rec. water pressure | kPa | 300-500 | 300-500 | 300-500 |
| Water inlet | l/min | 20 | 20 | 20 |
| Drain valve | outer Ø mm | 76 | 76 | 76 |
| Flow amount with drain valve | l/min | 210 | 210 | 210 |
| Steam valve connection | BSP | 1/2" | 1/2" | 1/2" |
| Steam pressure | kPa | 100-800 | 100-800 | 100-800 |
| DIMENSIONS | | | | |
| Size H×W×D | mm | 1115×660×785 | 1225×750×785 | 1225×750×900 |
| Net weight | kg | 135 | 170 | 190 |
| TRANSPORT DATA | | | | |
| Packed H×W×D | mm | 1245×710×835 | 1355×800×835 | 1355×800×950 |
| Gross weight | kg | 145 | 185 | 200 |



DIMENSIONS

| | A | B | C | D | E | F | G | H | I | J | K | L | M | N | P | Q | R | S | |
|-------|--------------------|-----|------|-----|-----|-----|----|------|------|-----|-----|-----|-----|------|------|-----|----|-----|--|
| RX80 | 660 | 785 | 1115 | 676 | 349 | 166 | 88 | 920 | 1010 | 113 | 218 | 293 | 415 | 1020 | 1025 | 535 | 48 | 180 | |
| RX105 | 750 | 785 | 1225 | 676 | 342 | 225 | 98 | 1030 | 1120 | 113 | 218 | 338 | 505 | 1130 | 1135 | 480 | 42 | 192 | |
| RX135 | 750 | 900 | 1225 | 788 | 342 | 225 | 98 | 1030 | 1120 | 113 | 218 | 338 | 505 | 1130 | 1135 | 480 | 42 | 192 | |
| | width depth height | | | | | | | | | | | | | | | | | | |

| | | RX80 |
|-------------------------|--------|------|
| Water consumption | l/kg | 6,9 |
| Electricity consumption | kWh/kg | 0,17 |

* Program No 11

The Primus preserves the right to change the machines and the specification in this leaflet at any time, without prior notice. Details and photographs are only for information and never binding.

www.primuslaundry.com

Primus by Alliance Laundry Systems

